



Sectional Door Opener **SD800+**

The SD800+ has been engineered to the highest standard and utilises proven technology coupled with high quality features as standard to ensure reliable, safe and quiet operating performance year after year.

simply safer



Door Types: Residential Sectional Doors **Door Size:** Up to 12m²

Key Benefits



Quality Tested

Proven technology coupled with robust design backed up by rigorous quality testing.

5 Year Warranty

5 year motor warranty, 2 year electronics warranty.

Motor

Powerful DC motor which means reduced noise and vibration on opening and closing.

Soft Start/Stop Function

Ensure smooth and quiet door operation which is important when the garage is located close to bedrooms or living areas.

LED Courtesy Light

A convenient way to navigate through your garage environment and get in and out of your car (operates for 6 minutes).

Transmitter Range

Remote distance: Effective operating range of up to 35m.

Maintenance Reminder

This provides an audible reminder that the garage door is due for a service.

Link Technology

Compatible with E-Door Connect Smart Garage Door Controller.

Standard Safety Features

Auto Safety Reverse

If an obstruction occurs during closing of the door this function causes the garage door to immediately stop and reverse direction upon contact with the obstruction.

Auto Sensing Force

During operation the force required is constantly monitored and adjusted to ensure economical operation and reduced wear and tear.

Digital Limit System

Equipped with digital limit system for ease of programming during installation.

Manual Release

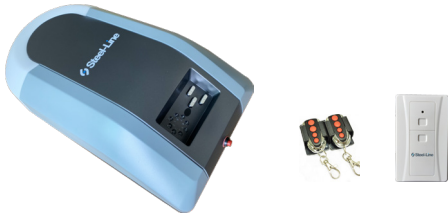
In case of power failure you can simply activate the manual release to open your garage door.

Call 1300 427 243 | steel-line.com.au



SD800+ Sectional Door Opener

Kit Components

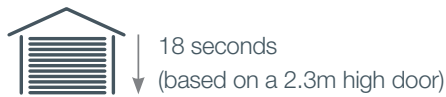


1 x Powerhead & Belt Rail, 2 x Four Channel Key Ring Mini-Transmitters, 1 x Wireless Wall Transmitter

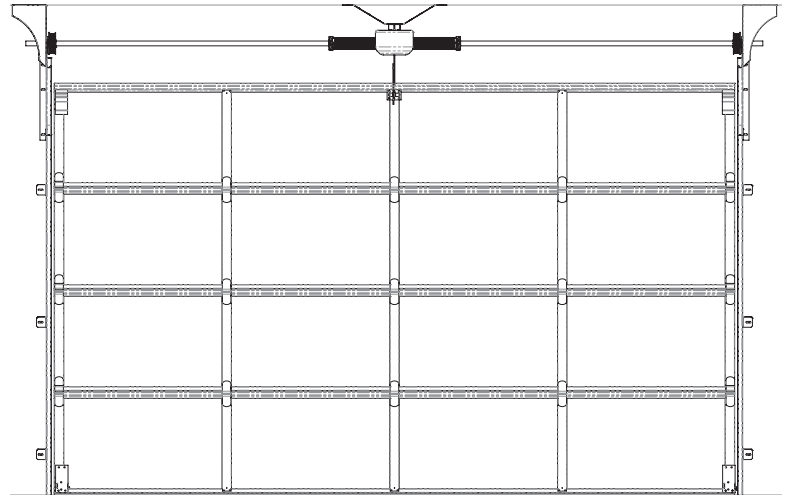
Specifications

- 24V DC motor type
- Electrical Input: 240V, 50Hz
- Rated door area up to 12m²
- Max door weight up to 110kg
- Max peak pulling force: 800N
- One piece C-rail with belt drive
- 433.92 MHz transmitter frequency
- Courtesy light: LED
- Headroom: 50mm more than minimum headroom required for door

Door Opening and Closing Times

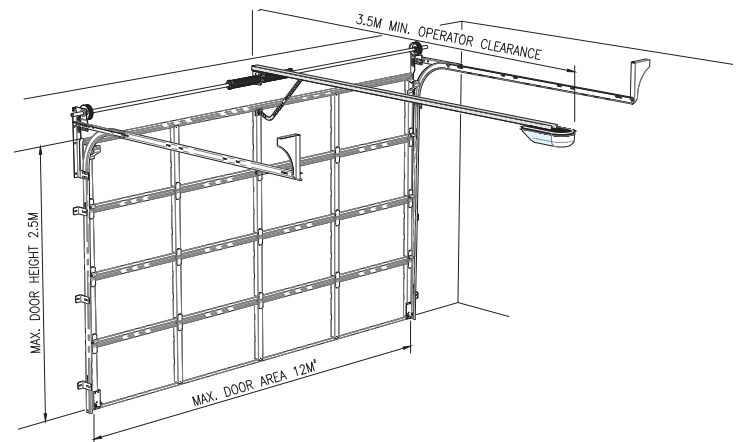


Rail Options	
Maximum Door Height	Minimum Operator Clearance
2.5m	3.5m
3.5m	4.5m



Max door height: 3.5m, Max door weight: 110kg, Max door area: 12m²

Typical Installation - Sectional Door



Optional Accessories



E-Door Connect

Unlimited connectivity anywhere and anytime, the E-Door Connect opens up a whole new experience for convenience, safety and accessibility for everyone.



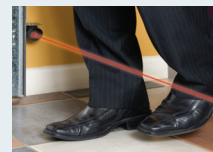
Wireless Keypad

Weatherproof digital keypad which can be programmed with 4 digit pin code. Includes back-light when used in poor lighting conditions.



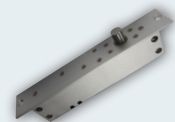
Emergency Key Release

Used in case of malfunction or power failure, especially useful if there is no other access to the garage.



'Photo Eye' Technology

Allows the garage door to automatically reverse when its sensory light beam is broken by an obstruction, helping to protect your family from injury and your car from damage caused by contact.



Automatic Garage Door Deadbolt SD by Steel-Line

Automatic locking system engineered with the latest electronic technology.