



# Steel-Line

## Roller Door Opener **RD1200+**

Despite being compact in size it is packed full of features as well as being super quiet.

**simply safer**



Heavy duty motor (1,200N) designed for cyclone regions for doors up to 18m<sup>2</sup>



**Door Types:** Residential Roller Doors

**Door Size:** Up to 25m<sup>2</sup>

(18m<sup>2</sup> for wind locked doors)

### Key Benefits



#### Quality Tested

Proven technology coupled with robust design backed up by rigorous quality testing.



#### 2 Year Warranty

2 year motor warranty, 2 year electronics warranty.



#### Motor

Powerful DC motor which means reduced noise and vibration on opening and closing.



#### Soft Start/Stop Function

Ensure smooth and quiet door operation which is important when the garage is located close to bedrooms or living areas.



#### LED Courtesy Light

A convenient way to navigate through your garage environment and get in and out of your car (operates for 2 minutes).



#### Transmitter Range

Remote distance: Effective operating range of up to 35m.



#### Maintenance Reminder

This provides an audible reminder that the garage door is due for a service.



#### Link Technology

Compatible with E-Door Connect Smart Garage Door Controller.

### Standard Safety Features



#### Auto Safety Reverse

If an obstruction occurs during closing of the door this function causes the garage door to immediately stop and reverse direction upon contact with the obstruction.



#### Manual Release

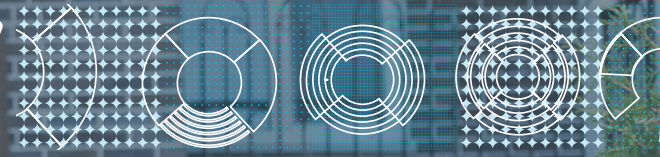
In case of power failure you can simply activate the manual release to open your garage door.



#### Inbuilt Safety Timer

If optional photo eye beams are installed, the automatic closer timer will ensure that your door will close automatically if you forget to close it yourself.

Call 1300 427 243 | [steel-line.com.au](http://steel-line.com.au)



# RD1200+ Roller Door Opener



Heavy duty motor (1,200N) designed for cyclone regions for doors up to 18m<sup>2</sup>

## Kit Components



1 x Powerhead, 2 x Three Channel Key Ring Transmitters, 1 x Wireless Wall Transmitter, 1 x Weight Bar

## Specifications

- 24V DC motor type
- Rated door area up to 25m<sup>2</sup> (18m<sup>2</sup> for wind rated doors)
- Max door curtain weight: 250kg
- 433.92 MHz transmitter frequency
- Max driving force: 1200N
- Electrical Input: 240V, 50Hz
- Max door height: 5.5m
- Courtesy LED light included
- Manual disengagement system
- Electronic limit system

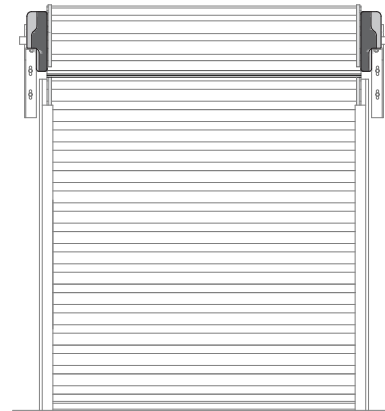
↑ Push & pull force: 1200N

↑ Door travel speed: Max. 130mm/s

↓ Opening time: Approx 21 sec (door specific)

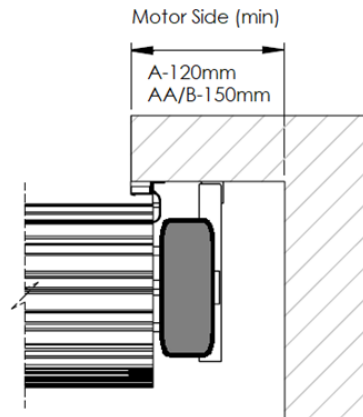
## Typical Installation

Left hand installation



Right hand installation

Max Door Height: 5.5m



Door Type	Max Door Size	Min Side Room (Edge Curtain to Edge of Bracket)
A Series (25mm tracks)	25m <sup>2</sup>	120mm
AA/B Series (50mm tracks)		150mm
Wind Locked	18m <sup>2</sup>	200mm

## Optional Accessories



### E-Door Connect

Unlimited connectivity anywhere and anytime, the E-Door Connect opens up a whole new experience for convenience, safety and accessibility for everyone.



### Emergency Key Release

Used in case of malfunction or power failure, especially useful if there is no other access to the garage.



### Electronic Key Switch

Allows entry into your garage from outside, via a key lock. Useful when remote handset is not available.



### 'Photo Eye' Technology

Allows the garage door to automatically reverse when its sensory light beam is broken by an obstruction, helping to protect your family from injury and your car from damage caused by contact.



### Wireless Keypad

Weatherproof digital keypad which can be programmed with 4 digit pin code. Includes back-light when used in poor lighting conditions.